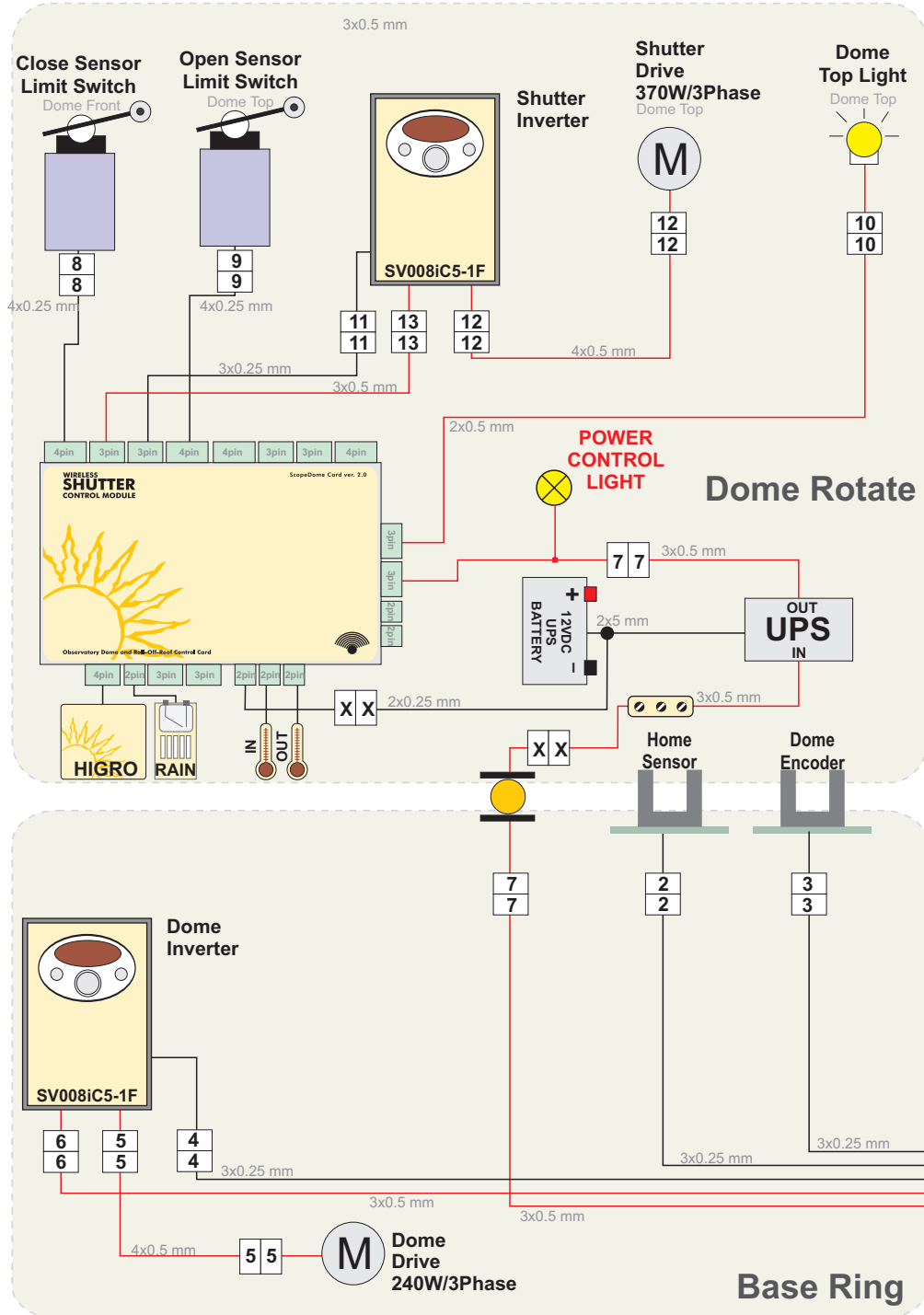


GND	+V	GND	SO	+V	GND	OS	GND	SW	GND	SW	GND	SW	GND	SW	GND	+U	A(+)	B(-)
Cloud Sensor	Dome At Home	Dome Encoder	Obsv. Safe	Scope AtHome	Free Input	Analog Input	Rs485											

USB		DC OUTPUT			DC IN		
		GND	+5V	GND	+12V	GND	+12V

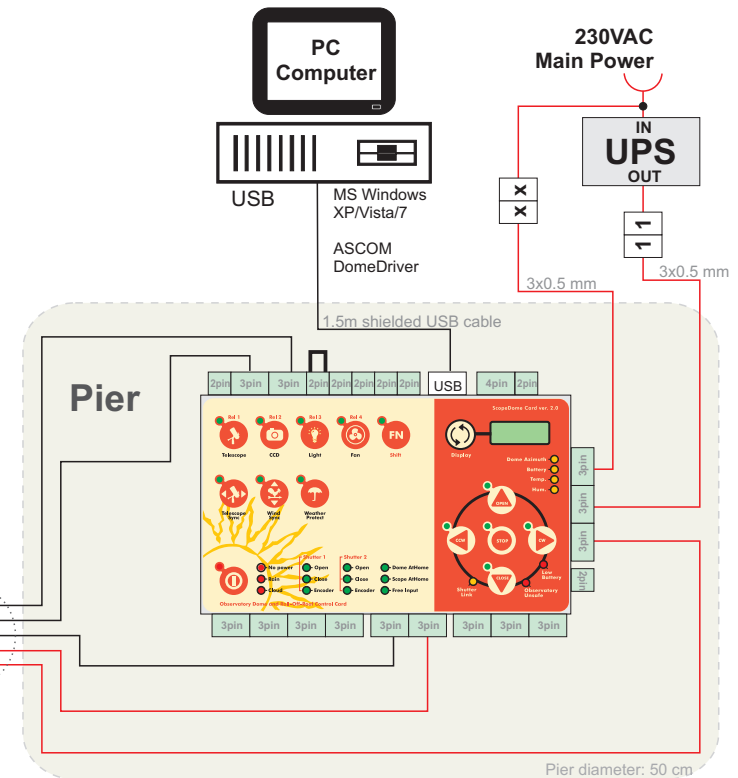
FUSE	8A
UPS 230V LINE	L
	PE
	N
OUT. 230V	L
	PE
	N
Rs485	A(+)
	B(-)

230VAC OUTPUT 230VAC OUTPUT 230VAC OUTPUT

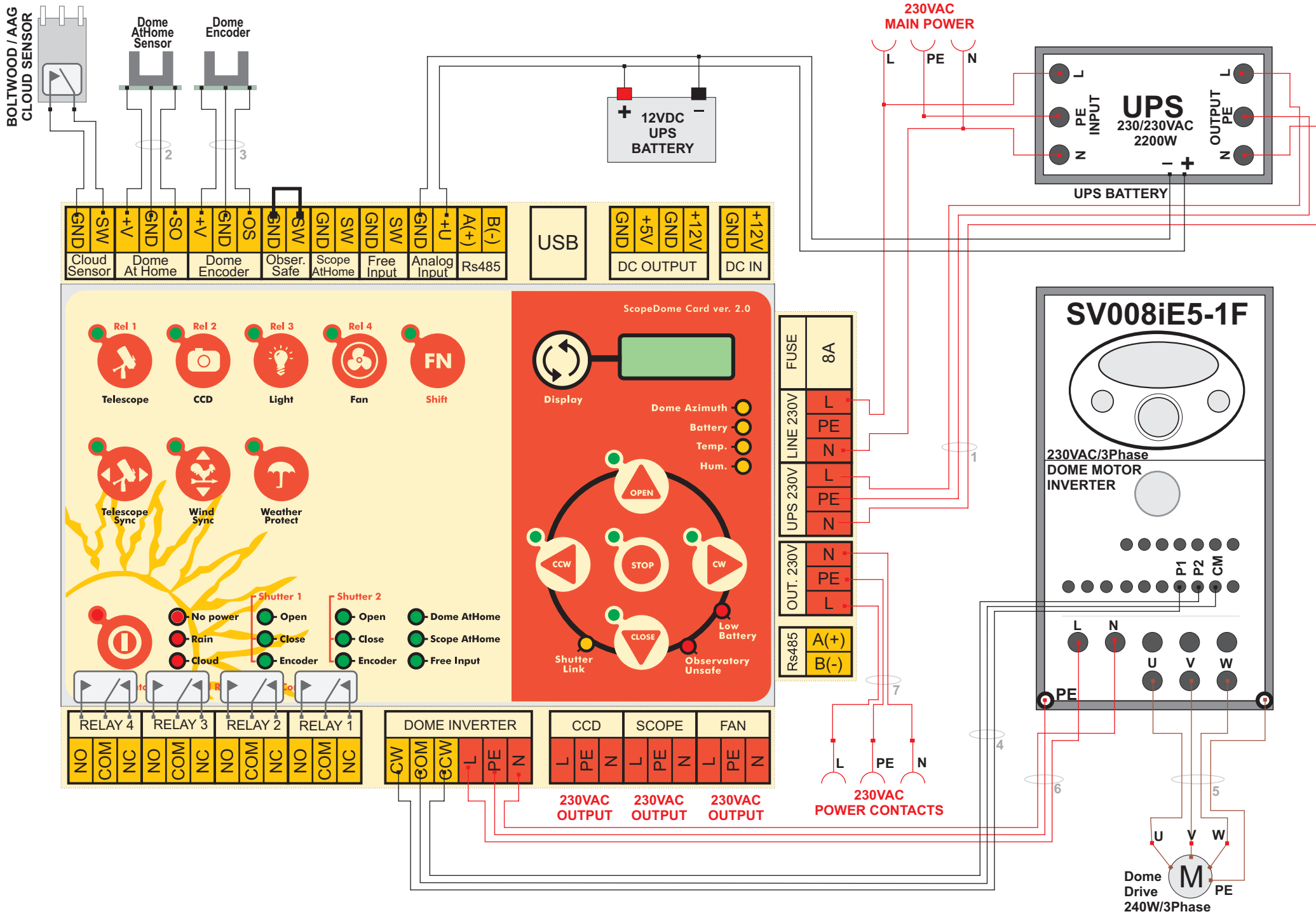


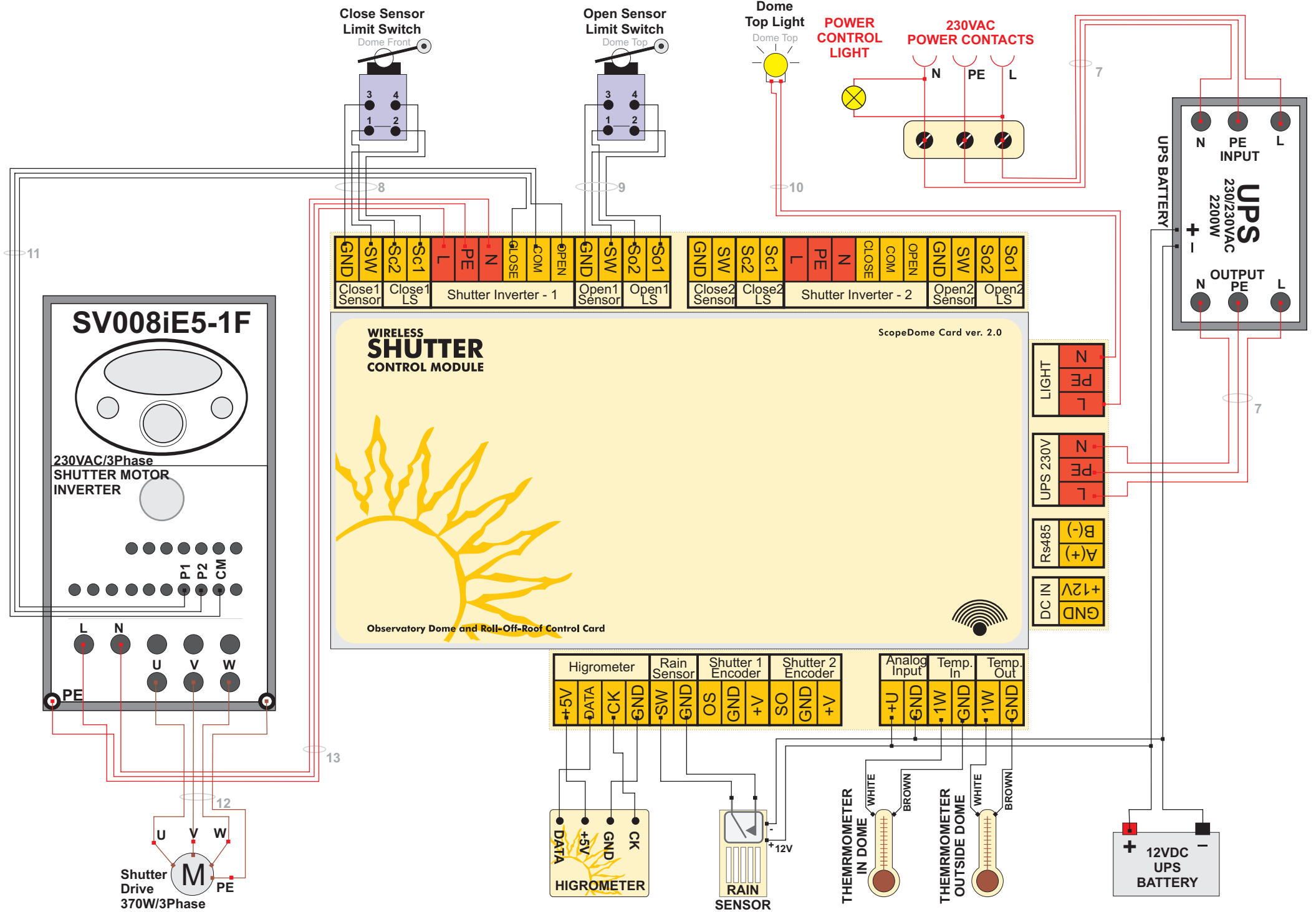
Drawing info

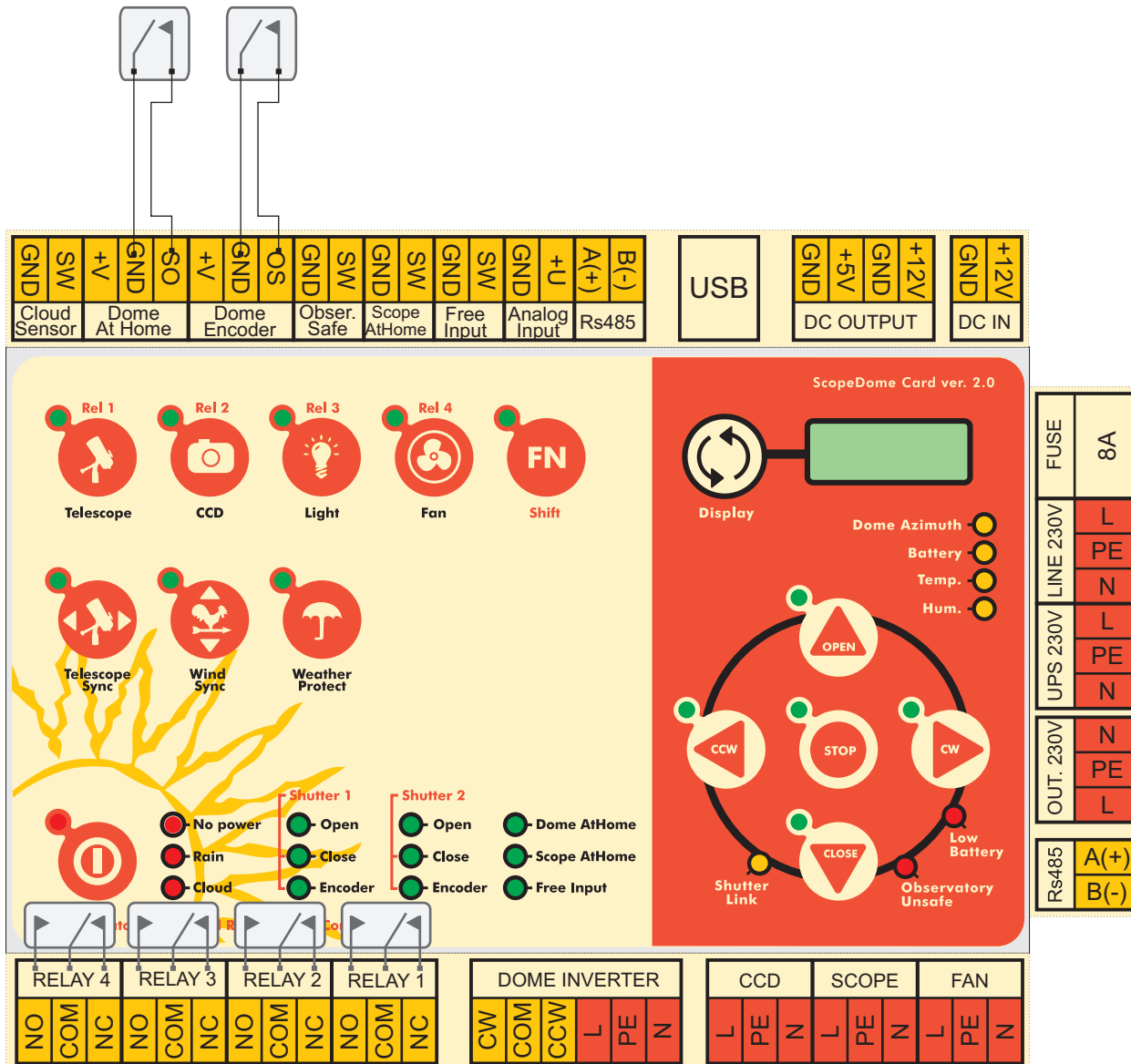
- Low voltage wires
- High voltage (230VAC) wires
- Plug And Play Connectors with wire number
- Dome Parts
- Main Power (230VAC)
- Power Contacts on basering
- Main power connector on dome rotate part



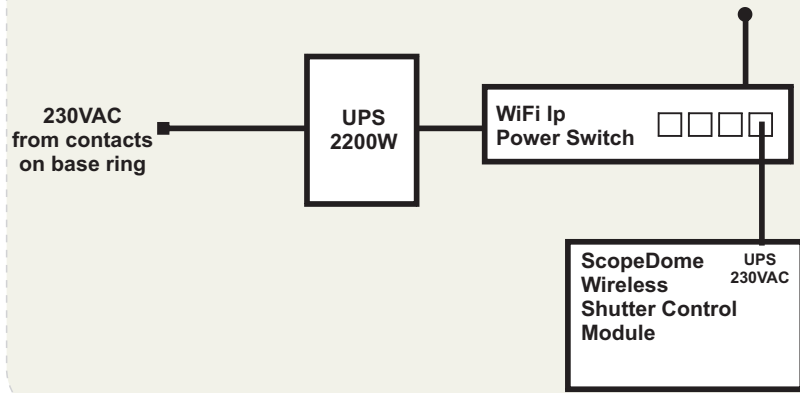
Pier diameter: 50 cm





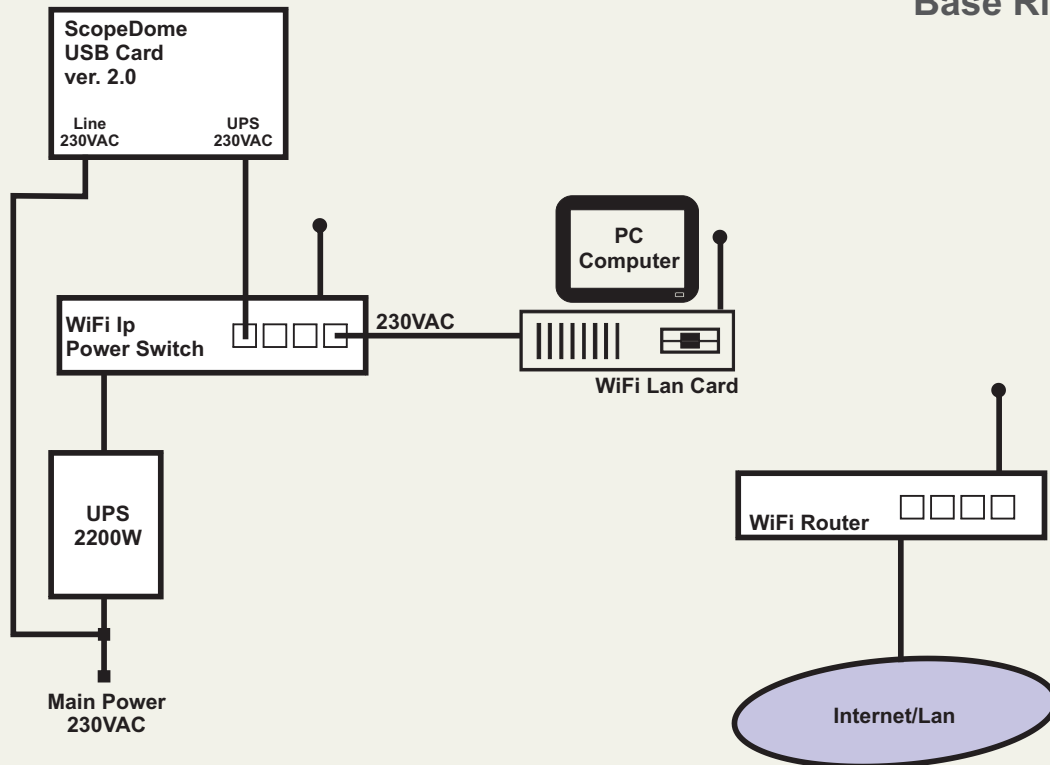


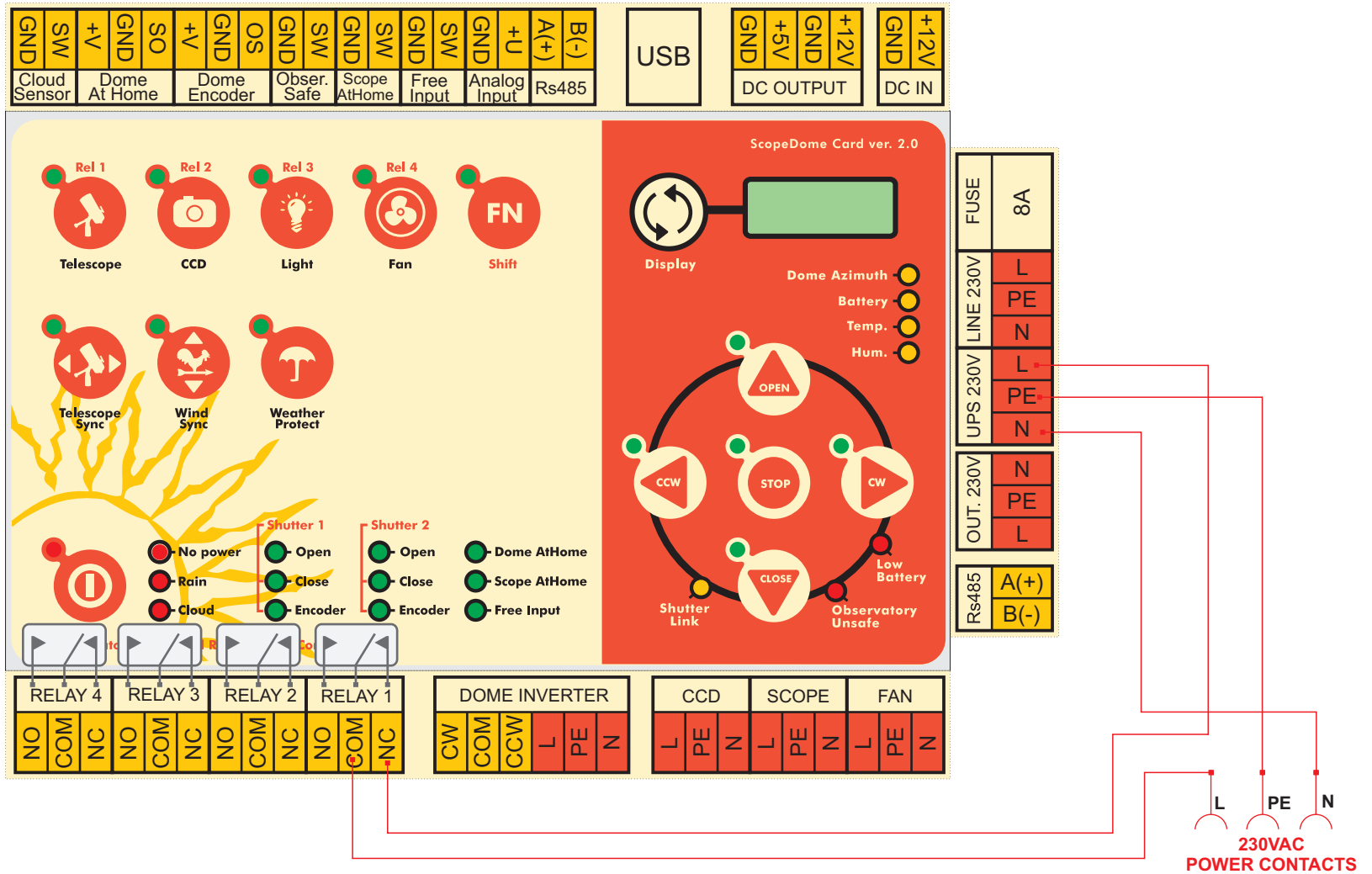
Dome Rotate

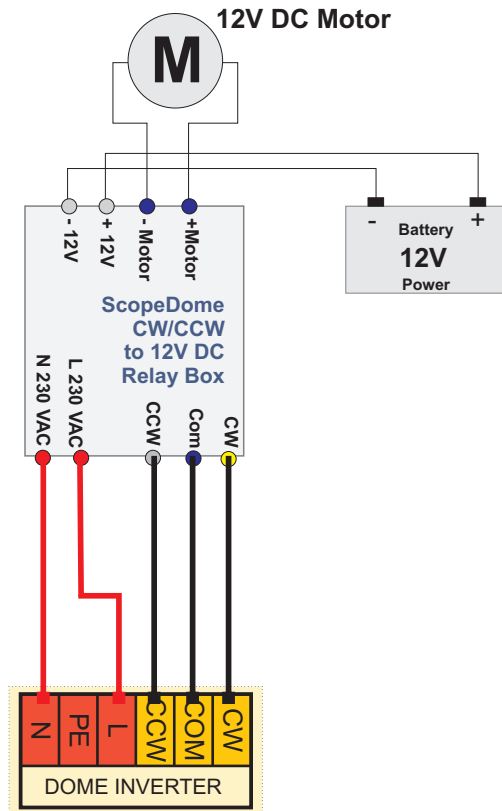


Aviosys IP POWER 9258
Wi-Fi Remote Power Switch
- 4 Port

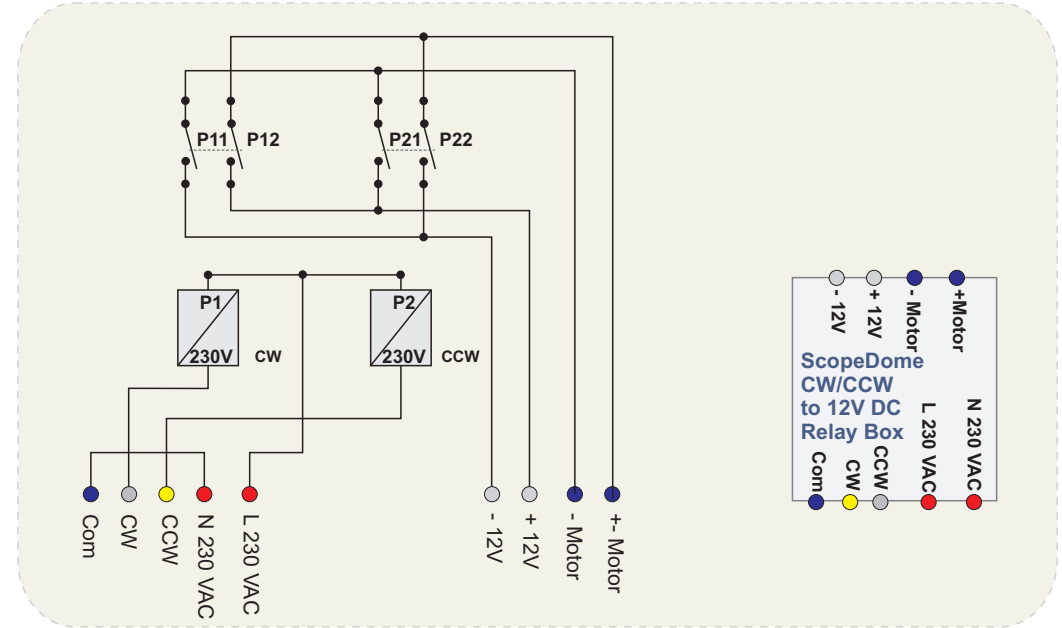
Base Ring







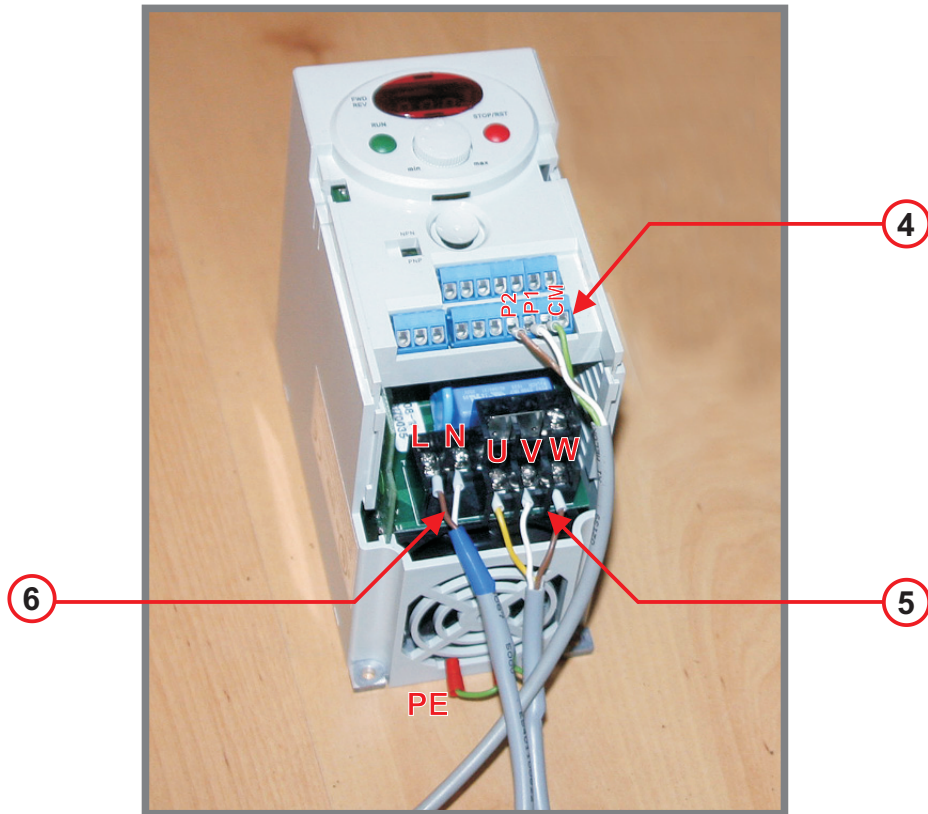
ScopeDome USB Card ver. 2.0



ScopeDome CW/CCW to 12V DC Relay Box



Dome inverter connection



Shutter inverter connection

